



VAPIANO

(Italian self-service restaurant)

Sparkassenplatz 4, 8010 Graz

T +43 316 839898

graz@vapiano.at

<http://at.vapiano.com>

Fresh pasta, pizza from the stone oven, crispy salads, tasty desserts: Vapiano is always the right choice. Whether it is a quick lunch, a cappuccino during a break from shopping or for dinner with friends over a glass of wine. Whenever you stop by, you get to see the cooking live. The chefs set to work in front of the guests, and fulfil their personal requests.

Tip: Make sure you see the chefs making the pasta in the Manifattura, which is behind glass in the centre of the restaurant. Whether it is pasta, sauces, dressings or sweet desserts – almost everything is made here using fresh ingredients each day.

ACCESSIBILITY

Accessibility by public transport

Please use the route planner of the Styria Public Transport Network (Verbundlinie Steiermark):

[https://verkehrsAuskunft.verbundlinie.at/](https://verkehrs Auskunft.verbundlinie.at/)

Parking

- Designated disabled parking space in the Landhausgasse (approx. 10 m from the entrance), parallel parking, without slope
- Additional disabled parking spaces in the Raubergasse (13 m) and Schmiedgasse (20 m), short-stay parking zone nearby
- Nearest underground car park Andreas-Hofer Platz, approx. 150 m away

ENTRANCE AREA

- The accessible entrance (covered) is the main entrance to the restaurant
- The path to the entrance is suitable for wheelchairs (asphalted)
- Access via concreted ramp with 5 % incline **(without handrail)**
- Automatic sliding door made of glass, clear door width 125 cm
- **No door stop**
- Dust control mat suitable for wheelchairs
- Afterwards, second automatic sliding door made of glass, clear door width 125 cm



Entrance

INTERIOR AREA

- Counter/reception: **No under-counter wheelchair access**
- Counters at the show kitchen 116 cm in height, **no lowered space**
- Wood flooring suitable for wheelchairs
- Tables fixed, chairs movable
- Long tables with 4 table legs on the outside
- Under-table wheelchair access height 68 cm; **only possible on one side because of bar footrest**



OUTDOOR DINING AREA

- Long tables and benches
- **No under-table wheelchair access** from the side; under-table wheelchair access only if the bench is removed

TOILET

Although the restaurant does not have an accessible toilet, it cooperates in this area with the bank in the same building.

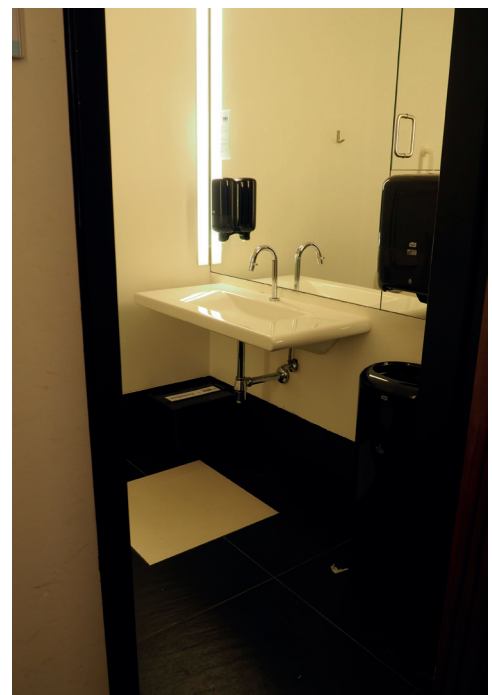
In the evening let the restaurant or the night porter at the bank know that you would like to use the toilet.



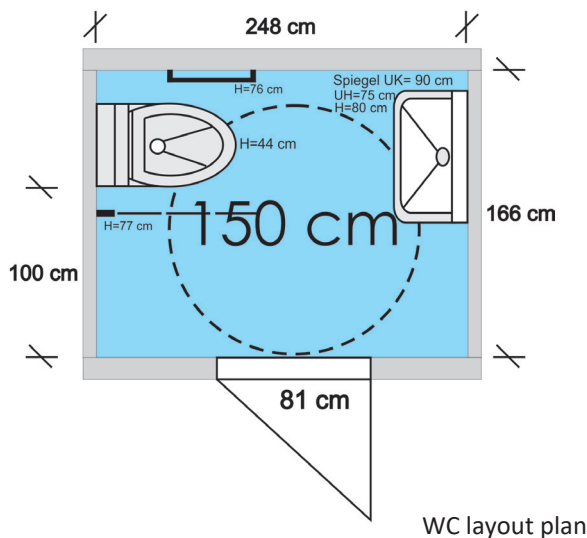
Interior area

Access to the foyer of the bank via the restaurant:

- Hinged door made of glass, clear door width 110 cm
- Emergency exit bar on inside, lever handle on the outside
- Carpet flooring suitable for wheelchairs
- Accessible WC (ladies WC at the same time):
- Accessible via sliding door, clear door width 99 cm
- WC door: Hinged door with lever handle, clear door width 81 cm
- Room dimensions: 166 x 248 cm
- Turning circle of 150 cm guaranteed
- WC height 44 cm (standard 46-48)
- Accessibility from the left (100 cm space to WC)
- 1 folding support rail at a height of 77 cm
- 1 angled grab bar at a height of 76 cm
- Washbasin: under-basin wheelchair access height 75 cm
- Lower edge of mirror at a height of 90 cm
- Emergency bell available (not accessible from the floor, however)



WC



WC layout plan